



TD307MK2A

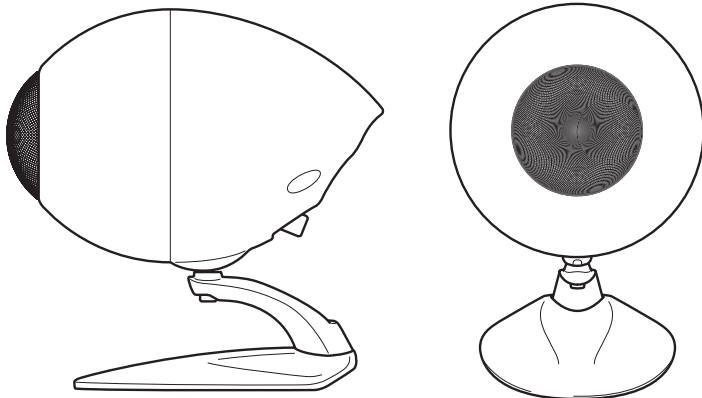
MANUAL No. 090001-14960700

ENGLISH

OWNER'S MANUAL

- Thank you for purchasing this product.
- Please read this owner's manual thoroughly prior to making any connections.
- Depending on the specific installation specialised skills maybe required. In such a case, please consult a qualified technician.
- Installation by two people is always advised.

Keep this Owner's Manual together with the Warranty Certificate in a safe place for future reference.



 FUJITSU TEN

Contents

Before installation

Parts list	18
Safety guidelines	19
Checklist before use	19

Installation

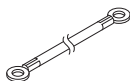
Speaker installation example	20
Parts and connections	21
Adjusting the speaker angle	22
Removing the speaker grille	23
Reversing the position of the speaker arm to the base	24
On a ceiling or wall	25
Care / Specifications	31
Warranty and After-Service	32

Parts list

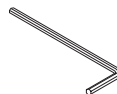
Check that all of the following items are present



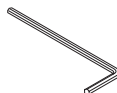
① Speaker X1



② Safety cable
(hole thread diameter 5.2 mm) X1



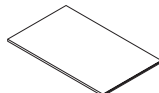
③ Allen key (large)
(For securing speaker) X1



④ Allen key (small)
(For speaker angle adjustment
and securing drop-prevention
wire to speaker) X1



⑤ Logo sticker X1



⑥ Owner's Manual X1



⑦ Warranty

* This speaker has been designed around the Time Domain concept.

《What is Time Domain theory?》

The theory seeks to accurately reproduce the timing of the air and sound movement exactly, as if you were present at the original recording. The difference is you feel the sense of 'being there' at the original sound recording. We could only achieve this experience using our unique technology.

Time domain theory is an audio theory proposed by Hiroyuki Yoshii, the President of TIMEDOMAIN Corporation.

Safety guidelines

The following WARNING and CAUTION signs are used throughout this owner's manual as well as on the product. These signs alert the installer and users of important safety information to avoid risk of injury and damages to the product. Make sure that you familiarise yourself with these symbols and their meaning.



Warning

The information following this sign indicate situations where failure to follow the instructions may result in death or severe injury.



Caution

The instructions which follow this sign indicate situations where failure to follow the instructions could cause injury when using the product or physical damage to equipment and surroundings.



Tip

This section contains information that can help to prevent problems and damage to the unit, and other useful information.



Warning

- Do not open the unit as this may cause electric shock or injury. For repair or maintenance, please contact a Customer Service Center. Do not attempt to modify the unit. This may cause fire or electric shock, and invalidate the warranty.
- Do not place the unit in the bathroom or anywhere exposed to rain. Do not use the unit in places with high humidity. This may cause fire or electric shock. Be particularly careful when using the unit in rainy weather or near water. Do not place above or near the unit, any flower vases, plant pots, cups, makeup, medicine or any vessel containing liquid or any small metal objects. In case any liquid or small metal objects enter the unit, fire or electric shock may result.



Caution

- The unit should be placed on a hard, flat surface. Placing the unit on an unstable surface may cause it to fall over and cause injury.
- Do not climb on or swing from the unit. In particular, care should be exercised when children are present. The unit may fall or break and cause injury.

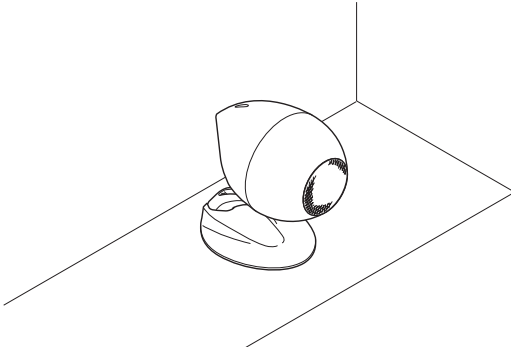
Checklist before use

- Be sure to set the volume to the minimum level before turning on the power supply for connected equipment and before switching the input source. Sudden high levels of output can cause damage to the connected speaker system.
- Even pleasant music can be a disturbance at times. To avoid disturbance in your neighborhood, enjoy your unit at an appropriate volume. Remember that at night, even low volume carries into surrounding areas. Help to maintain a pleasant living environment.
- Always be sure to turn off the power supply for the connected equipment before connecting the speaker.
- Be careful not to tip over the stand.
- Clean the unit by wiping it gently with a soft cloth moistened with neutral detergent. Do not use liquid solvents such as alcohol or thinner to clean this product.

Speaker installation example

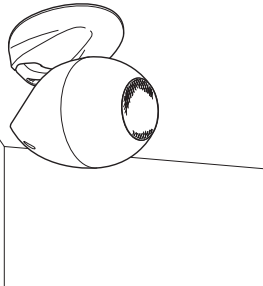
Installation on a floor or shelf

- Adjust the speaker angle. ➔ Refer to P.22.



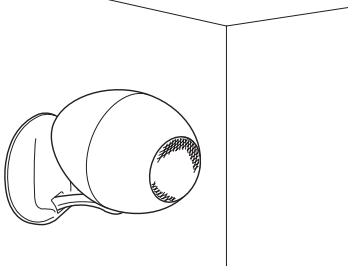
Ceiling installation

- Example of installation to a ceiling or wall. ➔ Refer to P.25.
- Install the speaker to the ceiling or wall. ➔ Refer to P.26 - 30.
- Adjust the speaker angle. ➔ Refer to P.22.

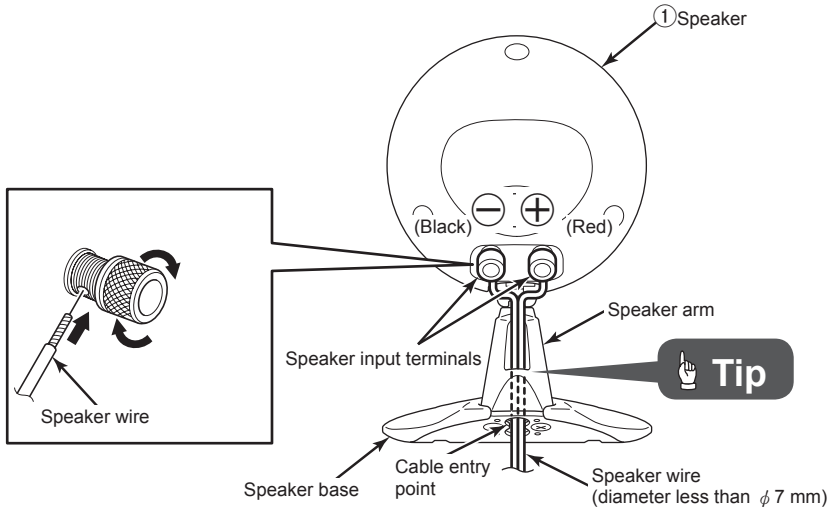


Wall mounting

- Example of installation to a ceiling or wall. ➔ Refer to P.25.
- Install the speaker to the ceiling or wall. ➔ Refer to P.26 - 30.
- Adjust the speaker angle. ➔ Refer to P.22.



Parts and connections



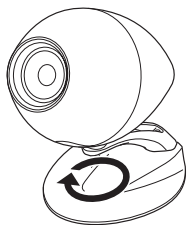
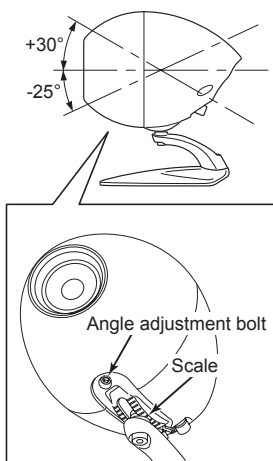
⚠ Caution

When connecting the speaker wires, insert the bare ends of the speaker wires correctly so that they do not touch neighboring terminals, otherwise it may cause short-circuits.

👉 Tip

- **For speaker wire diameter ϕ 7 mm or less**
 - If the speaker wire is passed through the cable entry point in the speaker base and the speaker arm, it will improve the outer appearance of the speaker.
- **For speaker wire diameter ϕ 7 mm or more**
 - The speaker wire cannot be passed through the speaker arm, so route it along the outside.

Adjusting the speaker angle



360° rotation

- 1 Use the Allen key (small) which is supplied with the speaker to loosen the angle adjustment bolt underneath the speaker.

 **Tip**

The speaker is heavy, so hold it with your hand when adjusting the angle.

- 2 Set the speaker to the desired angle.

 **Tip**

The vertical angle of the speaker can be adjusted within a range of +30° upward and -25° downward from the horizontal. If the speaker is installed to a ceiling or wall, refer to the installation examples on P.25 for the vertical angle adjustment range. The horizontal angle adjustment range is 360°.

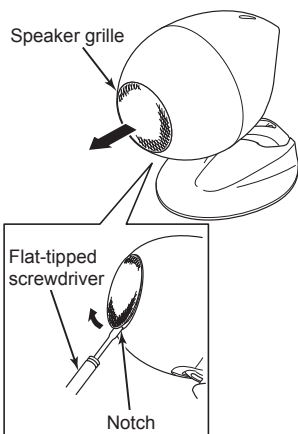
- 3 Securely tighten the angle adjustment bolt.

Removing the speaker grille



Tip

You can remove the speaker grille of the speaker if desired.



- 1 Insert the end of a flat-tipped screwdriver into the notch of the speaker grille, and lever it upward to lift the speaker grille.

Caution

Be careful not to damage the paper of the speaker cone or the speaker housing when using a flat-tipped screwdriver.

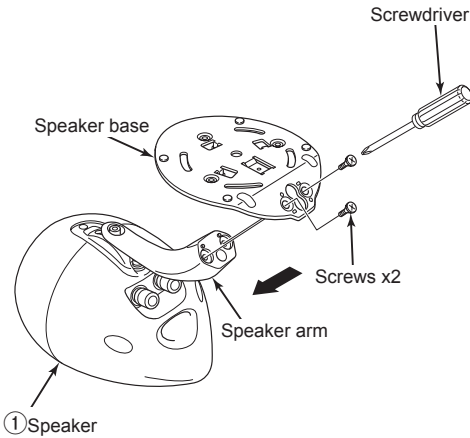
- 2 Remove the speaker grille.

Reversing the position of the speaker arm to the base

Tip

The TD307MK2A speaker can be installed in a variety of configurations by changing the way the speaker base and speaker arm are installed.

ENGLISH



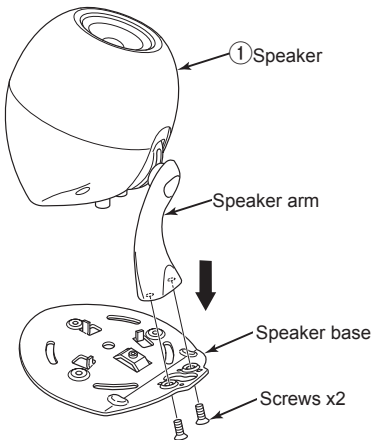
Tip

When disassembling the speaker, refer to steps **1** to **3** of "Preparation for installation" on page 26.

- 1** Remove the screws which are securing the speaker arm to the speaker base.
- 2** Remove the speaker arm from the speaker base.

Caution

The speaker is heavy, so use care when removing it.



- 3** Change the direction of the speaker arm and fit it back to the speaker base.

On a ceiling or wall

This product can be installed on ceilings and walls. If installing on a ceiling or a wall, you will need to use extra screws (sold separately). When installing the speaker, be sure to fit the safety cable.

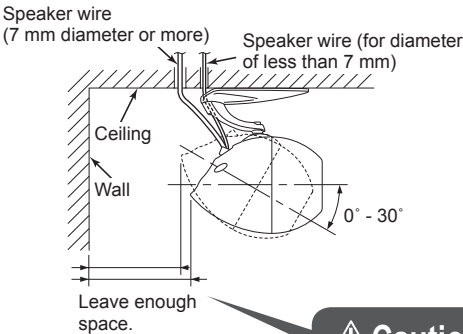
⚠ Caution

- Please read this owner's manual thoroughly prior to carrying out installation and connections.
- Depending on the specific installation specialised skills may be required. In such cases, please consult a qualified technician.
- Installation by two people is always advised.
- Please note the screws for fixing the product and safety cable to the ceiling are NOT supplied.

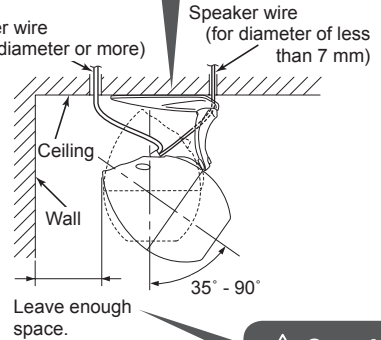
ENGLISH

■ Example of installation to a ceiling or wall

Example 1.



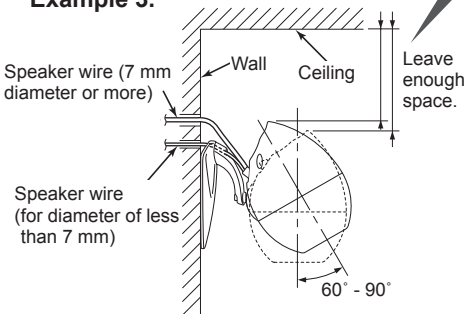
Example 2.



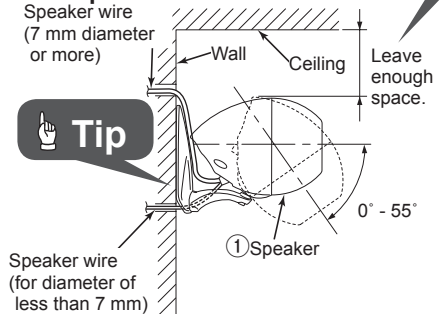
⚠ Caution

⚠ Caution

Example 3.



Example 4.



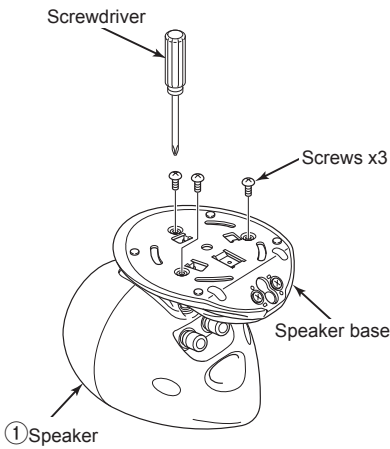
⚠ Caution

Be sure to leave some space in between the speaker and the wall so that the speaker and wall do not touch.

Tip

- In the case of example 2 and example 4, the direction the base is facing will be reversed.
- In the case of example 2 and example 4, it will be necessary to adjust the assembly positions of the speaker base and speaker arm. Refer to "Reversing the position of the speaker arm to the base" on P.24 for details on changing the assembly positions.

– Preparation for installation –

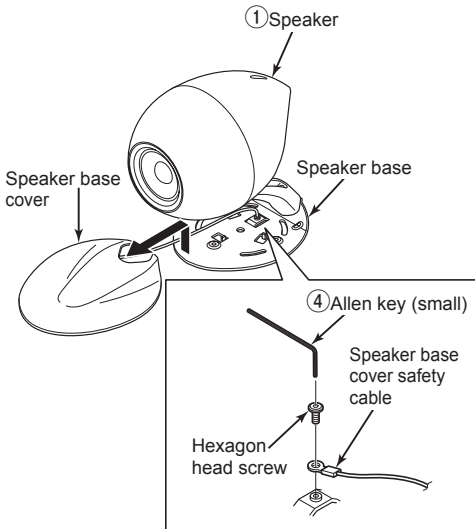


- 1 Remove the screws from the bottom of the speaker base.



Tip

The screws which are removed will not be used. Retain these screws in case they are required in the future.

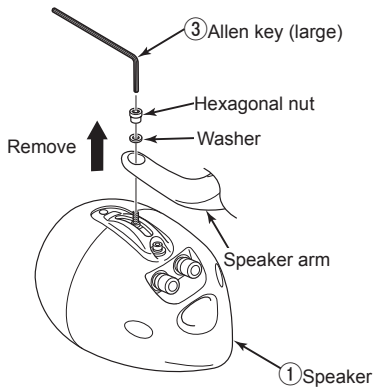


- 2 Remove the speaker base cover.
- 3 Remove the hexagon head screw which is used for securing the speaker base cover safety cable from the speaker base.



Tip

The hexagonal head bolt which is removed will be used later, so be careful not to lose it.

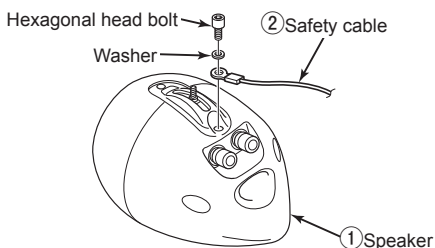


4 Remove the hexagonal nut and washer which are securing the speaker unit and the speaker arm.

5 Remove the speaker arm from the speaker unit.

Caution

The speaker unit is heavy, so use care when removing it.



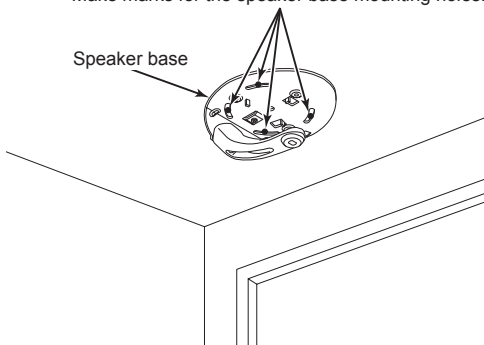
6 Fix the safety cable to the speaker unit.

Caution

- Remove the hexagonal nut and washer from the speaker unit and use them to install the safety cable to the speaker unit.
- Install the safety cable securely to the speaker to prevent the speaker from falling down.
- Place the speaker on top of the soft cloth while working so as not to damage the speaker.

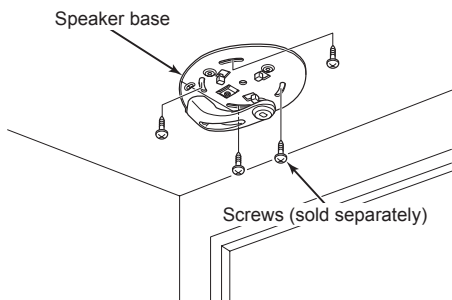
– Installing the speaker base –

Make marks for the speaker base mounting holes.



1 Use the speaker base to determine the installation position for the speaker on the indoor ceiling, and then use tape or similar to attach the speaker base to the ceiling.

2 Use an awl or similar to make marks on the ceiling at the speaker base mounting hole positions.




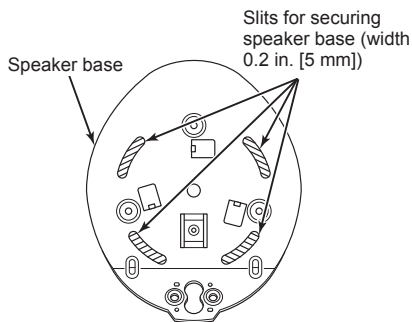
- 3** Fix the speaker base to the surface as shown using suitable screws (sold separately).

Caution

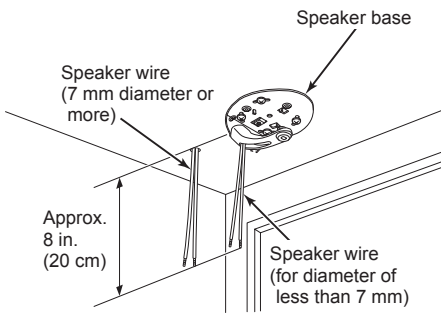
- Securely fix the speaker base to prevent the speaker from falling down.
- The screws which are used to fix the speaker base to the ceiling or wall are not provided with the product, so purchase them separately.
- When securing the speaker base to the ceiling or wall with the screws, overtighten, as the speaker base may become distorted and it may not be possible to install the speaker. Be careful not to overtighten the screws.

Tip

- When installing the speaker base to the ceiling or wall, the position and number of mounting bolts used will be determined by the strength of the ceiling or wall and the locations of beams.
- When installing the speaker base to the ceiling or wall, use more screws (sold separately) using the slits marked with  to ensure the unit is secured.



4 Route the speaker wires.

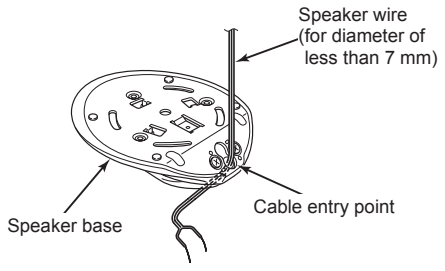


Tip

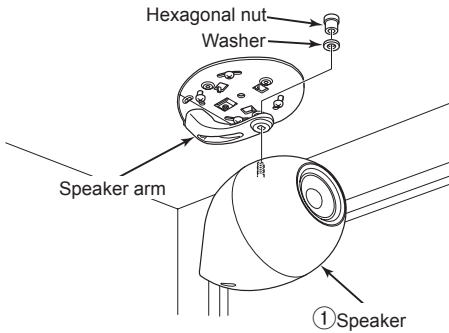
- To make it easier to connect the speaker wires to the speaker, leave about 8 inches (20 cm) of wire available.

■ **For speaker wire diameter ϕ 7 mm or less**

The speaker wires (sold separately) can be passed through the speaker base and the speaker arm to improve the outer appearance of the speaker.

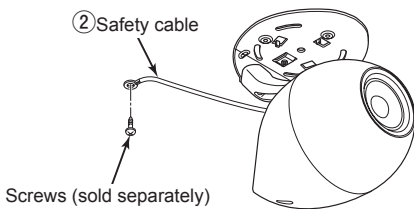


– Assembling the speaker –



- 1 Securely fix the speaker arm to the speaker unit.

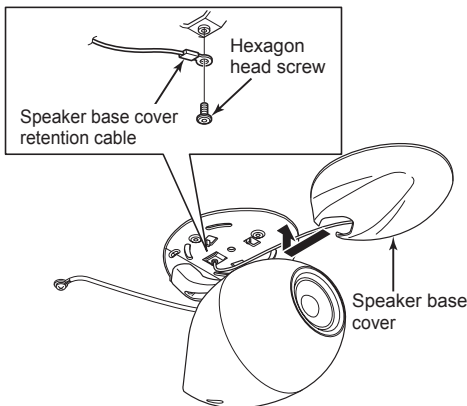
Tip
Securely tighten the hexagonal nut and the washer.



- 2 Install the safety cable to the ceiling.

Caution
Install the safety cable securely to the ceiling to prevent the speaker from falling down.

Tip
Fix the safety cable to the ceiling in a place which is strong, such as a beam location.



- 3 Install the speaker base cover safety cable to the speaker base.

- 4 Install the speaker base cover to the speaker base.

- 5 Connect the speaker wires (sold separately) to the speaker input terminals.

Tip
For details on connecting the speaker wires, refer to "Parts and connections" on P.21.

Care / Specifications

Maintenance

Before cleaning, be sure to turn off the power supply for all connected equipment and disconnect the power cords from the electrical outlets. Remove any dirt from the unit by lightly wiping with a soft dry cloth.

If required moisten the cloth to remove surface dirt, then dry with a soft cloth.

Do not use gasoline or thinners, etc. on this unit as it may damage the cabinet.



Problems during Operation of the Unit

During operation, the unit may stop working properly if it suffers from significant external disruption (impact shock, static electricity, voltage fluctuation caused by lightning, etc.) or is operated incorrectly.

In this situation, turn the amplifier power to switch to the “Off” position.

Turn it back on again and check if normal operation has resumed. (If a problem persists, please contact our Service Centre)

Notice for WEEE directive

In accordance with the European Directive 2002/96/EC (for Waste Electric and Electronic Equipment=WEEE), this product, which is labeled with crossed-out wheeled bin, may not be disposed of with household waste in member states of the EU.

WEEE : Waste Electrical and Electronic Equipment

When disposing of this product in an EU member state, dispose properly in accordance with the laws of that state, for example by returning it to the distributor.

WEEE has the potential effects on the environment and human health as a result of the presence of hazardous substances.

You can contribute to eliminate these effects and to enhance reuse/recycle/ other forms of recovery by your cooperation.



Specifications

Specifications and appearance are subject to change without prior notification.

•Speaker

Diameter: 6.5 cm

Degaussing: Degaussing design (JEITA)

Allowable input: Rated 12 W/Maximum 24 W

Impedance: 8 Ω

Dimensions: 130 mm(W) x 176 mm(D) x 195 mm(H)

Weight: Approx. 3 1/2 lbs. (1.5 kg)

Warranty and After-Service

■ Warranty Certificate (included)

After reading the contents of the Warranty Certificate, put it away in a safe place.

Warranty period

The warranty period is 2 years from purchase date. Some costs may be incurred even within the warranty period, so please read your Warranty Certificate carefully.

■ Life-span of Serviceable Parts

The life-span of the serviceable parts in this product is a period of 8 years from the date of manufacture. This is the period stipulated by the Ministry of International Trade and Industry. 'Serviceable parts' are defined as those parts which are necessary to ensure the functionality of the product.

■ Repairs and Enquiries

Please contact the following or the store you purchased the goods.

Eclipse TD (UK) Ltd.

Tel : +44 (0) 20 7328 4499

Fax : +44 (0) 20 7624 6384

E-mail : info@eclipse-td.co.uk

Business hours : 10:00 am-6:00 pm, Monday to Friday


■ When Requesting a Repair

Within warranty period

Present your Warranty Certificate. Repairs will be carried out in accordance with the conditions on the Warranty Certificate.

Outside the warranty period

When a repair is possible, it will be carried out upon your instruction and at your expense.

 Regular Checks	After many years of use, check your audio equipment;	
	Are any of these conditions present?	<ul style="list-style-type: none">● An excessively hot power cord or plug● A burning smell● Deep cuts or abnormalities of the power cord● Any other damage or abnormalities



Stop using the unit

To prevent damage and accidents, turn off the power switch, remove the power cord and request a service inspection. For inspection and repair costs, please check with our Service Centre.