



TD712zMK2 TD712zMK2-S

INSTALLATION MANUAL: 090003-30800700

INSTALLATION MANUAL

Thank you for purchasing this product.

Please read this installation manual before assembling and using the product, and be sure to use the product properly.

An accident or injury can result if the product is incorrectly assembled or unspecified parts are used.

After assembly, keep this manual where it can be consulted when necessary.

Contents

Before installation

Accessories	2
For your safety in using this product	3
Cautions before use	3

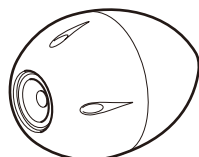
Installation

Installing the speaker	4
Adjusting the angle of the speaker	5
Adjusting the spikes	5
Installing the caps and protective net	5
Routing the speaker wires	6
Specifications	6

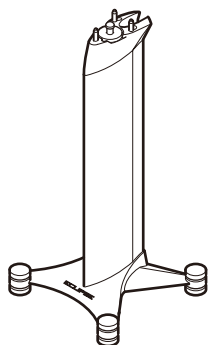
Accessories

Check that all of the following accessories are present before installation

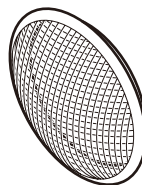
ENGLISH



① ϕ 12cm speaker
x1



② Speaker stand
x1



③ Protective net
x1



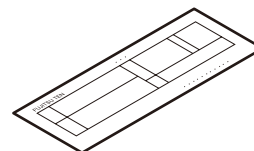
④ Cap
x5



⑤ Logo sticker
x1



⑥ Installation Manual
x1



⑦ Warranty
x1

* This product is a speaker which has been designed using Time Domain theory.

《What is Time Domain theory?》

Time domain recreates the changes that occur in sound waves over time from the moment of output until their disappearance. Its purpose is to reproduce those sound waves that are as close to the original recorded sound as possible. Time domain audio systems allow sound orientation and the nuances that are added by recorded performers to be faithfully reproduced.

For your safety in using this product

The following WARNING and CAUTION signs are used throughout this manual as well as on the product. These signs alert the installer and users of important safety information to avoid risk of injury and damages to the product. Make sure that you understand the meaning of each sign first before reading the contents of this manual.



Warning

This "Warning" sign indicates a situation in which incorrect handling may result in death or serious personal injury.



Caution

This "Caution" sign indicates a situation in which incorrect handling may result in personal injury or may result solely in damage to property.



Tip

This section contains information that can help to prevent problems and damage to the unit, and also contain other useful information.



Warning

- Do not install this product in high places. It may fall down and cause injury.
- Do not disassemble this product.
- Do not use this product in very humid places. Fire or electric shocks may result.



Caution

- Do not use the stand to support any other item.
- Assemble the stand on a level surface. Placing the stand on an uneven surface can lead to overturning and result in an injury.
- Do not place the stand where people regularly move past it. Bumping into the stand can cause an injury.
- Place the stand on a solid and level floor. Installing the stand in a location that is unstable can cause it to fall and result in an injury.
- Do not drop or drag this unit while assembling or carrying it. Pushing over or dragging the stand can result in an injury or cause damage to the floor.
- Do not climb onto or hang from the stand. Be especially careful about children trying to do this. It may fall over or break and cause injury.
- The stand is heavy, so take care when unpacking or moving it. Improper lifting can cause a back injury and dropping the stand can injure feet.

Cautions before use

- Always be sure to minimize the volume before turning on the power and before switching input. Sudden high volume output can damage the connected speaker system.
- Even pleasant music can be a disturbance at times. To avoid disturbance in your neighborhood, enjoy your unit at an appropriate volume. Remember that at night, even low volume carries into surrounding areas. Help to maintain a pleasant living environment.
- Always connect speaker systems with the power disconnected.
- Do not separate the speaker from the stand.
- Do not place the speaker unit directly on hard surfaces. It may mark the surface.
- Be careful not to tip over the stand.
- Clean the unit by wiping it gently with a soft cloth moistened in neutral detergent. Do not use liquid solvents such as alcohol or thinner to clean this product.

Installation

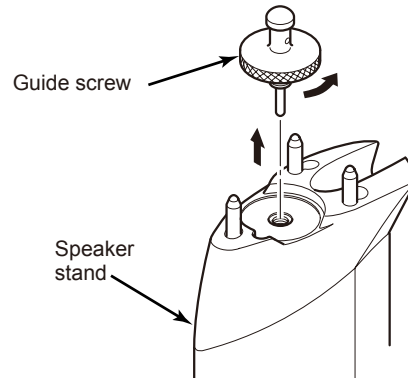
– Installing the speaker –

- 1 Place the stand in the desired location.

Caution

The assembly of this unit must be done on a flat, hard surface. If the stand is placed in such a way that it obstructs free passage, injury may result.

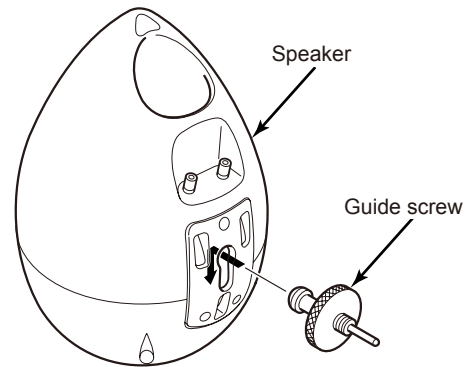
- 2 Remove the guide screw from the stand.



- 3 Install the guide screw to the speaker as shown in the illustration.

Caution

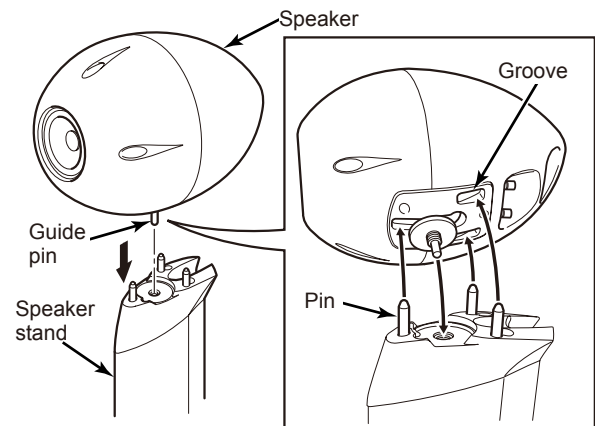
If placing the speaker on the floor, lay some protective material on the floor to prevent any damage to the speaker and the floor.



Caution

- When placing the speaker, be careful not to touch the cone paper. Damage to the speaker may result.
- When placing the speaker on the stand, do not tilt the speaker by mistake, otherwise the base of the speaker may become damaged.
- When placing the speaker on the stand, do not tilt it while working, otherwise the guide pin may fall down and injury or damage to the floor may occur.

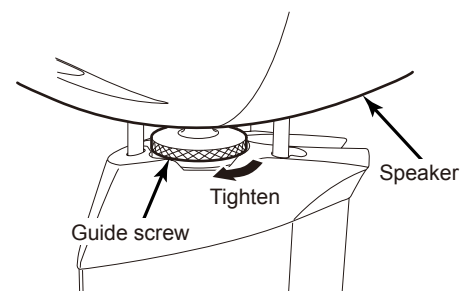
- 4 As shown in the diagram, mount the speaker on the stand, constantly checking the alignment.



Tip

Insert the guide pin into the stand, and align the speaker with the three pins.

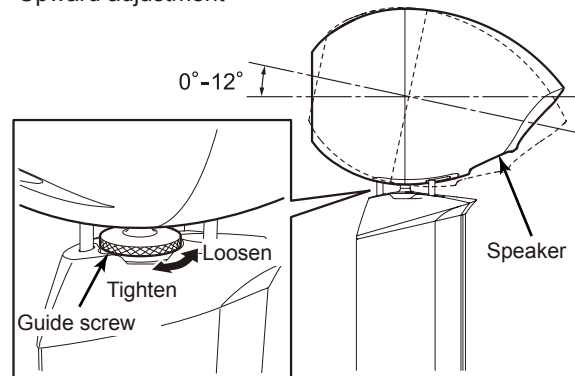
- 5 Tighten the guide screw to secure the speaker to the stand.



– Adjusting the angle of the speaker –

- 1 Loosen the guide screw and tilt the speaker to the desired angle.
- 2 Once you have determined the angle, tighten the guide screw to secure the speaker.

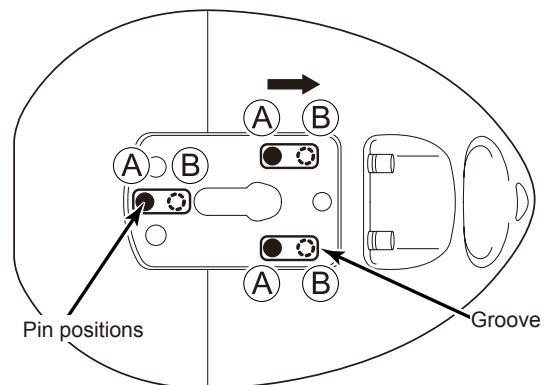
Upward adjustment



Tip

- The angle of the speaker is 0° when the stand pins are at position (A), and is 12° when the stand pins are at position (B).
- Support the speaker with your hand when tightening the guide screw.

Base of speaker

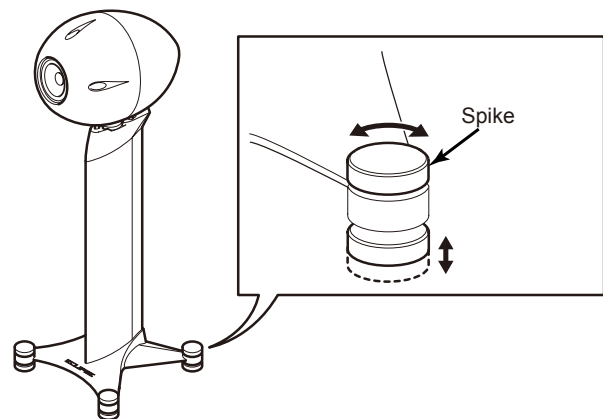


– Adjusting the spikes –

- 1 Turn the spikes to adjust as shown in the illustration.

Tip

- Turn the four spikes all the way counterclockwise before placing the stand on the floor.
- Turn the spikes clockwise one by one. When you feel the ends of the spikes touching the tray, stop turning the spike at that point. (Adjustment range is 10 mm.)

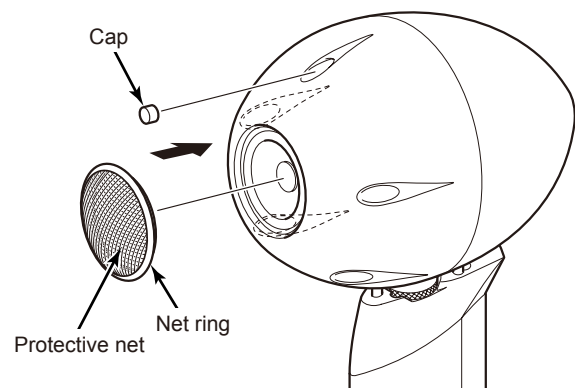


– Installing the caps and protective net –

- 1 Attach the caps in five places as shown in the illustration.
- 2 Install the protective net.

Tip

- The protective net may be attached when the speaker is not in use or at the users discretion.
- If the protective net comes off the net ring, fit the protective net back into the groove in the net ring.



– Routing the speaker wires –

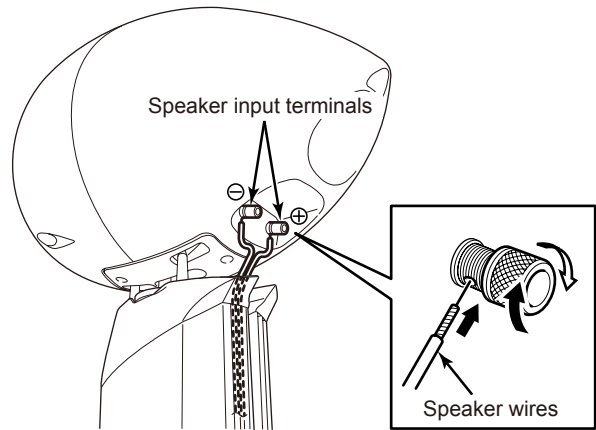
- 1 Insert the ends of the speaker wires into the holes in the speaker input terminals and tighten the terminals.

Caution

When connecting the speaker wires, insert the ends of the speaker wires correctly so that they do not touch neighboring terminals.

Tip

When connecting the speaker wires to the speaker, pass the speaker wires through the groove in the stand to improve the appearance. (If less than 7 mm dia.)



Specifications

Specifications and appearance are subject to change without prior notification.

•Speaker

Diameter	φ 12cm
Degaussing	Degaussing design (JEITA)
Type	Bass reflecting box
Input resistance	Rated 35 W / Maximum 70 W
Impedance	6Ω
Outer dimensions	W285×D411×H285 (mm)
Weight	11kg

•Stand

	TD712 z MK2	TD712 z MK2-S
Total height	723mm ~ 733mm	335mm ~ 345mm
Weight	14kg	7kg