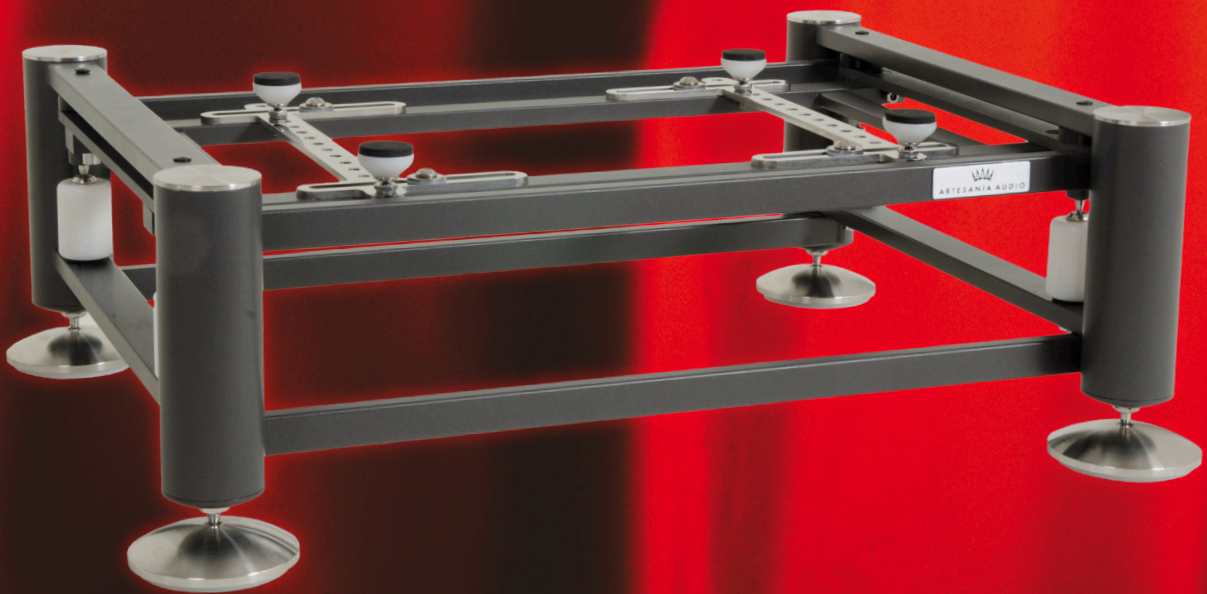




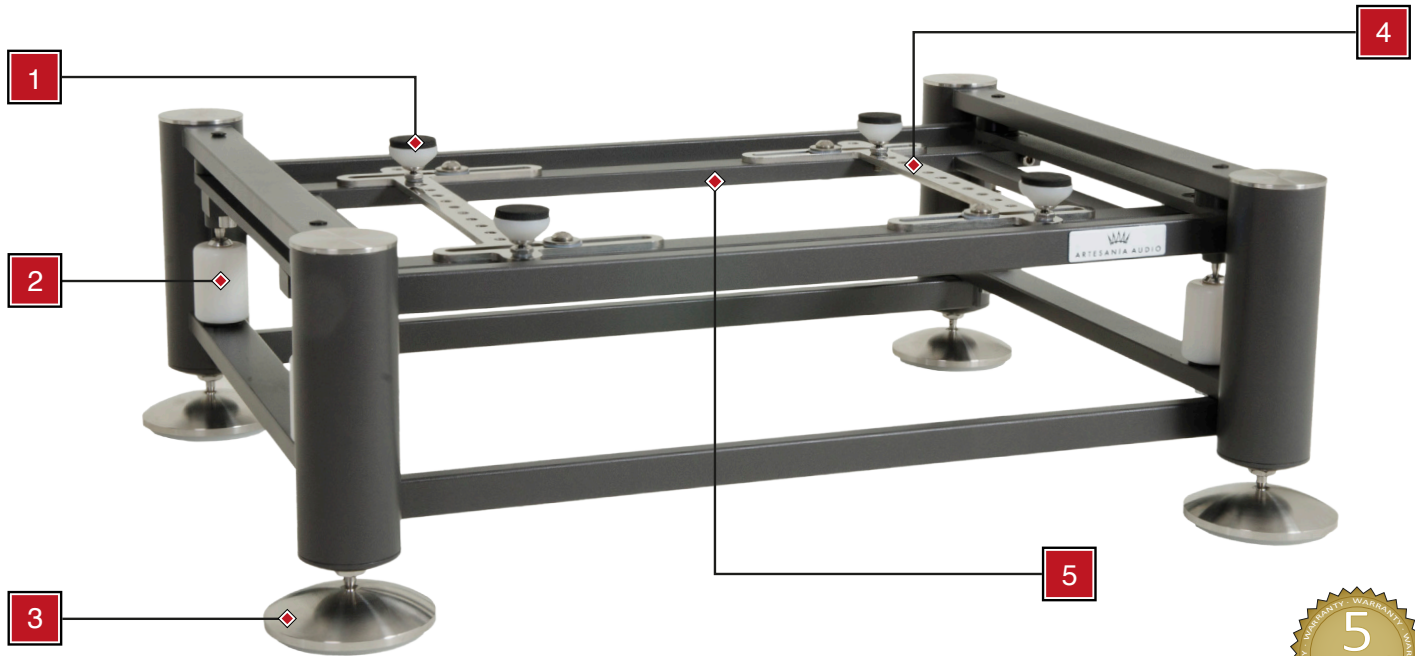
ARTESANÍA AUDIO

the high end rack company

# AIRE FLOOR PLATFORM



[www.artesaniaaudio.com](http://www.artesaniaaudio.com)  
[info@artesaniaaudio.com](mailto:info@artesaniaaudio.com)

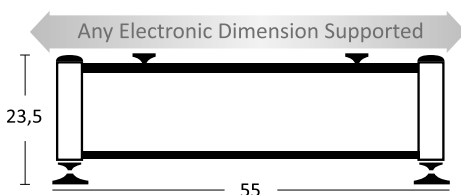


 <b>SDS</b> Suspended Double Structure tech	 <b>3D</b> Triple Decoupling	 <b>AAT</b> Acoustic Anti-ressonance Treatment	 <b>MNS</b> Maximum Neutrality System
--	--	--	---

## Technical Construction Details

- 1** • **ISOLATION DISCS**  
 Support each of the electronic components (without any need for shelves). Easy installation facilitated by an elastic insert which provides stability to place electronic components on the adjustable spikes.
- 2** • **TEFLON CILINDERS**  
 Support the internal structure and isolates from the external structure. **(Diameter 38 mm)**
- 3** • **DECOUPLING BASE**  
 Stainless steel discs support the spikes of the uprights. Two types of floor pads are included, with different sonic behavior, depending on the room acoustics.  
**Check manual to use the proper pads for the bases.**
- 4** • **LINEAR ARMS**  
 Arms made from anti-magnetic stainless steel. The arms hold adjustable spikes (can be located in different positions) also support isolating discs and damping pads. **Total flexibility in different positions and easy to change.**  
 This system allows to set up the best support position to place electronic components.
- 5** • **INTERNAL SUSPENDED STRUCTURE**  
 Isolated from external structure. **Eliminates vibrations** that are transmitted from solid and acoustic sources through the creation of decouples; steel needles supported on isolating discs. These provide extra tiers of **anti-resonant protection**. This suspended audio rack has a **triple decoupling**.

## Dimensions and weight




AIRE RACK	rack weight		weight supported	
	kg	lb	kg	lb
Floor platform	19	41	200	440

## Options

3 colors available (Upon request)



Any special & custom version upon request

 All racks are shipped 95% assembled